



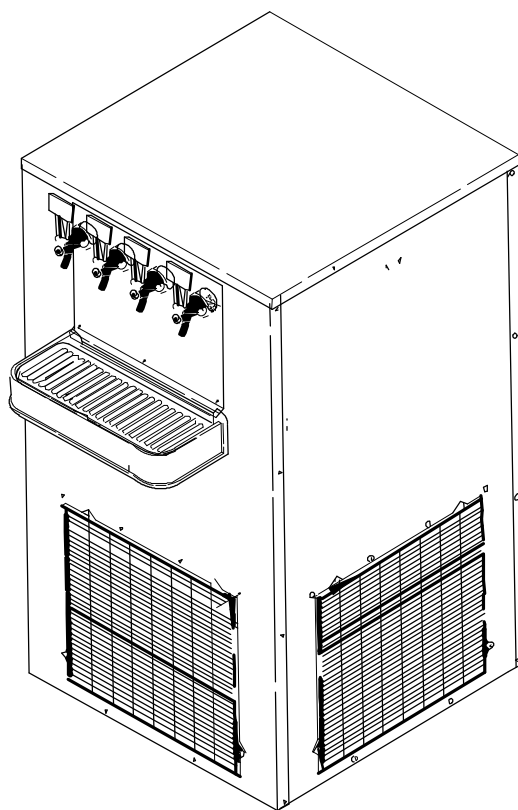
IMI CORNELIUS INC.
One Cornelius Place
Anoka, MN 55303-6234
Telephone 1-800-238-3600
Facsimile 1-800-258-0255

ILLUSTRATED PARTS LIST

UNIVERSAL 1550 PRE-MIX DISPENSER

MODEL NO.

284974xxx





IMI CORNELIUS INC.
One Cornelius Place
Anoka, MN 55303-6234
Telephone 1-800-238-3600
Facsimile 1-800-258-0255

ILLUSTRATED PARTS LIST

UNIVERSAL 1550 PRE-MIX DISPENSER

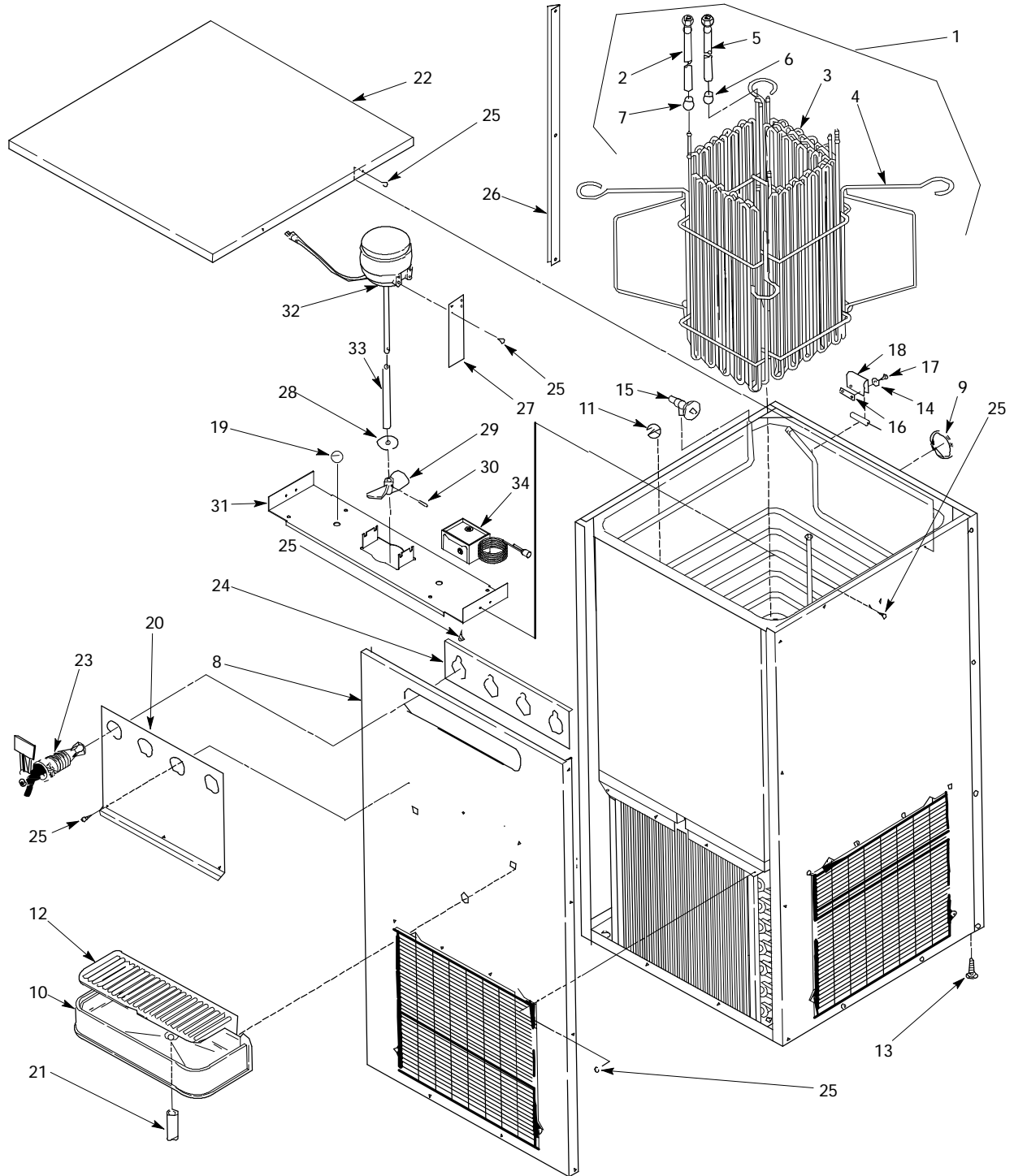


FIGURE 1. UNIVERSAL 1550 PRE-MIX DISPENSER ASSEMBLY



IMI CORNELIUS INC.
 One Cornelius Place
 Anoka, MN 55303-6234
 Telephone 1-800-238-3600
 Facsimile 1-800-258-0255

ILLUSTRATED PARTS LIST

UNIVERSAL 1550 PRE-MIX DISPENSER

Item No.	Part No.	Name
1	319837004	Coil and Tube Ass'y (Includes 2-7)
2	319244000	Tube Ass'y, Coil to Valve, No. 1, 2 and 3 (See Figure 3)
	319481000	Tube Ass'y, Coil to Valve, No. 4 (See Figure 3)
3	309952005	Coil, Product
4	2248	Rack, Coil
5	318880000	Tube Ass'y, Inlet (See Figure 3)
6	176067000	Ferrule, For .312 O.D. Tube
7	176035000	Ferrule, For .312 O.D. Tube, Short
8	319765044	Panel, Front
9	316963000	Bushing, Snap
10	186573039	Drip Tray
11	185176000	Retainer, Control Bulb
12	186642000	Cup Rest
13	310392000	Leg
14	188346000	Washer, No. 10
15	319386000	Expansion Valve
16	323264000	Twin Nut, No. 10-32
17	398022409	Machine Screw, SI Pan Hd., No. 10-32 By 3/8-In. Long

Item No.	Part No.	Name
18	319428000	Clamp, Sensor Bulb
19	331303000	Bushing, Snap
20	319786000	Panel, Valve
21	310445000	Tube, .500 I.D. By 60-In. Long
22	311849044	Cover
23		Dispensing Valve Ass'y (See Figure 4)
24	319781000	Plate, Backup
25	319941000	Thread Rolling Screw, Hex Washer Hd., No. 8-32 By 3/8-In. Long
26	1650	Shield, Corner
27	319856000	Plate, Heat Transfer
28	186599000	Slinger
29	3600	Blade, Agitator Motor
30	186610000	Pin, Blade
31	2218	Bracket, Agitator Motor
32	310154000	Agitator Motor, 115V 60HZ
33	310437000	Tube, Heat Transfer
34	4187	Ice Bank Control



IMI CORNELIUS INC.
One Cornelius Place
Anoka, MN 55303-6234
Telephone 1-800-238-3600
Facsimile 1-800-258-0255

ILLUSTRATED PARTS LIST

UNIVERSAL 1550 PRE-MIX DISPENSER

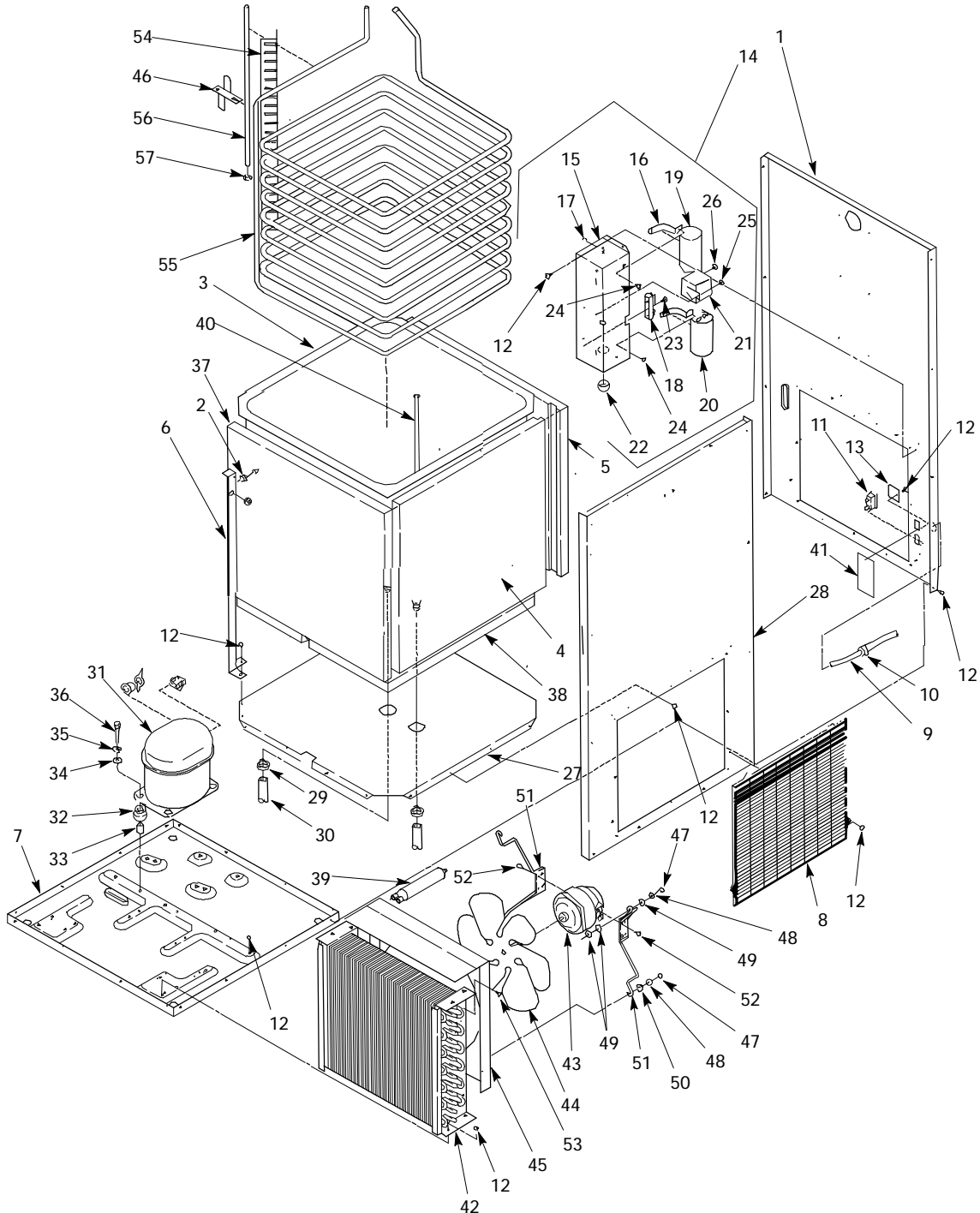


FIGURE 2. UNIVERSAL 1550 REFRIGERATION ASSEMBLY



IMI CORNELIUS INC.
 One Cornelius Place
 Anoka, MN 55303-6234
 Telephone 1-800-238-3600
 Facsimile 1-800-258-0255

ILLUSTRATED PARTS LIST

UNIVERSAL 1550 PRE-MIX DISPENSER

Item No.	Part No.	Name
1	319767044	Panel, Back
2	186299000	Strain Relief
3	2247	Tank, Water Bath
4	319770000	Insulation, Side
5	319768000	Insulation, Back
6	319227000	Conduit, Corner
7	318148069	Base
8	319817039	Grille
9	309939000	Service Cord
10	313621000	Strain Relief
11	309645000	Switch, Rocker
12	319941000	Thread Rolling Screw, Hex Washer Hd., No. 8-32 By 3/8-In. Long
13	319940000	Cover, Switch Hole
14	319888000	Control Box Ass'y (Includes 15-26)
15	319880000	Control Box
16	319867000	Strap, Capacitor
17	186125000	Grommet
18	360020000	Terminal Block
19	319858000	Capacitor, Run, 115V 60HZ
20	319859000	Capacitor, Start, 250V 60HZ
21	319861000	Relay, 115V 60HZ
22	360668000	Bushing, Snap
23	320289000	Thread Rolling Screw, Phil Pan Hd., No. 6-32 By 1/4-In. Long
24	392065000	Machine Screw, Hex Hd., No. 8-32 By 1-In. Long
25	319941000	Thread Rolling Screw, Hex Washer Hd., No. 8-32 By 3/8-In. Long
26	186150000	Machine Screw, Phil Pan Hd., No. 8-32 By 3/8-In. Long
27	309966000	Bulkhead, Cabinet
28	319766044	Panel, Side
29	140135000	Clamp, For .687 O.D. Tube

Item No.	Part No.	Name
30	187512000	Tube, .500 I.D. By 40-In. Long
31	312859000	Compressor Kit, 3/4HP 115V 60HZ
32	186818000	Grommet
33	186819000	Sleeve
34	186147000	Washer, .312 I.D.
35	186148000	Lock Washer, .312 I.D.
36	186144000	Cap Screw, Hex Hd., 5/16-18 By 1-1/4-In. Long
37	319769000	Insulation, Front
38	319772000	Insulation, Bottom
39	319403000	Dryer
40	319807000	Tube, Copper, 20-In. Long
41	309107000	Plate, Switch
42	319373011	Condenser Coil
43	309978000	Motor, Fan, 115V 60HZ
44	319358000	Fan, 6-Blade
45	319776000	Shroud, Condenser
46	319385000	Holder, Control Bulb
47	186770000	Machine Screw, Phil Rd Hd., No. 10-24 By 5/8-In. Long
48	120227000	Lock Washer, No. 10
49	320539000	Washer, No. 8
50	321484000	Grommet
51	319377000	Bracket, Motor
52	186154000	Machine Screw, Phil Pan Hd., Sems, No. 8-36 By 3/8-In. Long
53	398023199	Thread Cutting Screw, SI Hex Washer Hd., No. 6-32 By 5/16-In. Long
54	142345013	Spacer, Evaporator Coil
55	2246	Evaporator Coil
56	309974000	Rod, Support
57	316753000	Push-on Nut



IMI CORNELIUS INC.
 One Cornelius Place
 Anoka, MN 55303-6234
 Telephone 1-800-238-3600
 Facsimile 1-800-258-0255

ILLUSTRATED PARTS LIST

UNIVERSAL 1550 PRE-MIX DISPENSER

Item No.	Part No.	Name
	319244000	Tube Ass'y, Coil to Valve No. 1, 2 and 3
	319481000	Tube Ass'y, Coil to Valve No. 4
	318880000	Tube Ass'y, Inlet to Coil
1	174004000	Tube, .156 I.D. By 14-In. Long
	174083000	Tube, .156 I.D. By 29-In. Long
	174478000	Tube, .265 I.D. By 96-In. Long
2	176004000	Ferrule, For .312 O.D. Tube
	176000000	Ferrule, For .465 O.D. Tube
	176035000	Ferrule, For .312 O.D. Tube, Short

Item No.	Part No.	Name
3	176017000	Swivel Nut, 7/16-20
4	77010600	Nipple, For .156 I.D. Tube
	77010400	Nipple, For .265 I.D. Tube

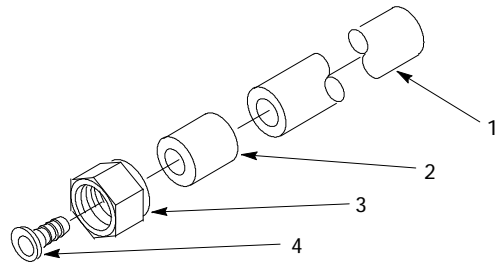


FIGURE 3. TUBE ASSEMBLY



IMI CORNELIUS INC.
 One Cornelius Place
 Anoka, MN 55303-6234
 Telephone 1-800-238-3600
 Facsimile 1-800-258-0255

ILLUSTRATED PARTS LIST

UNIVERSAL 1550 PRE-MIX DISPENSER

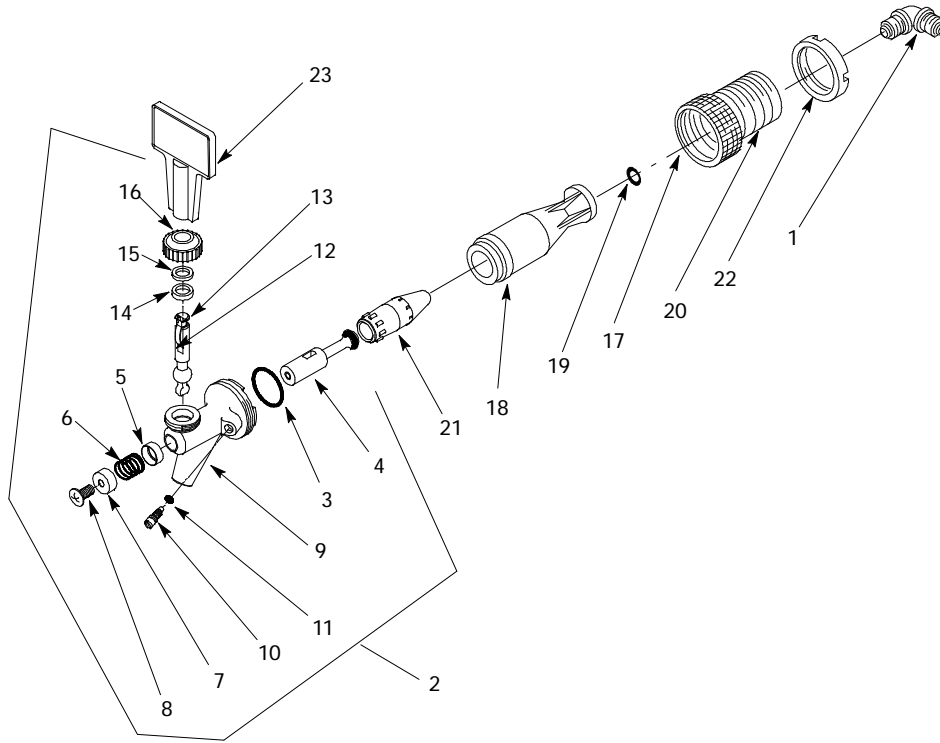


FIGURE 4. DISPENSING VALVE ASSEMBLY

Item No.	Part No.	Name
1	150792100	Fitting, Elbow, 7/16-20 By 1/2-16
	150807100	Fitting, 7/17-20 By 1/2-16
2	151202039	Dispensing Valve Ass'y (Includes 3-16)
3	150065000	O-Ring, 1.05 I.D. By .070 C.S.
4	150998000	Shaft and Seat Ass'y
5	150141000	Sleeve, Inner
6	150189000	Spring
7	150142000	Sleeve, Outer
8	150907000	Machine Screw, Phil Truss Hd., Chrome Plated Brass, No. 10-24 By 5/16-In. Long
9	151009039	Body
10	150113000	Slotted Adjusting Screw

Item No.	Part No.	Name
11	140092000	O-Ring, .114 I.D. By .070 C.S.
12	151062000	Lever Spring, Knob
13	151061000	Lever, Knob
14	150055000	Ball Washer, .390 I.D.
15	110015000	Friction Washer
16	151742039	Bonnet, Knob
17	150199000	Coupling Nut
18	150099000	Shank, Long
19	150058000	O-Ring, .301 I.D. By .070 C.S.
20	150200007	Sleeve, End Shank
21	150095000	Compensator
22	150150000	Shank Nut
23	151741039	Knob



IMI CORNELIUS INC.
One Cornelius Place
Anoka, MN 55303-6234
Telephone 1-800-238-3600
Facsimile 1-800-258-0255

ILLUSTRATED PARTS LIST

UNIVERSAL 1550 PRE-MIX DISPENSER ACCESSORIES/KITS

**WHEEL AND PUSH BAR KIT
(0519)**

**VALVE LOCK BOX W/PADLOCK
(186859044)**

**CASTER KIT
(310340000)**

**EVAPORATOR KIT
(319827088)**

**AGITATOR MOTOR ASS'Y
(310373088)**